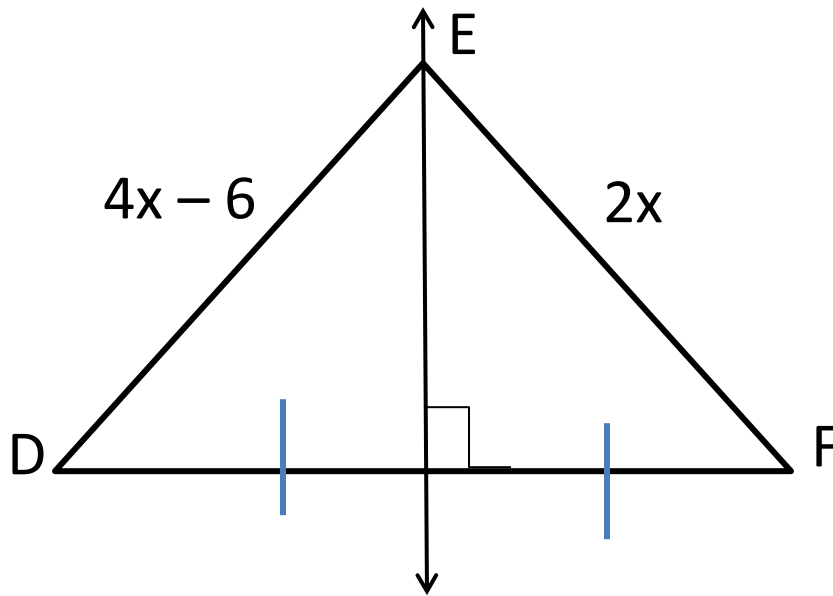


# Find $x$ .



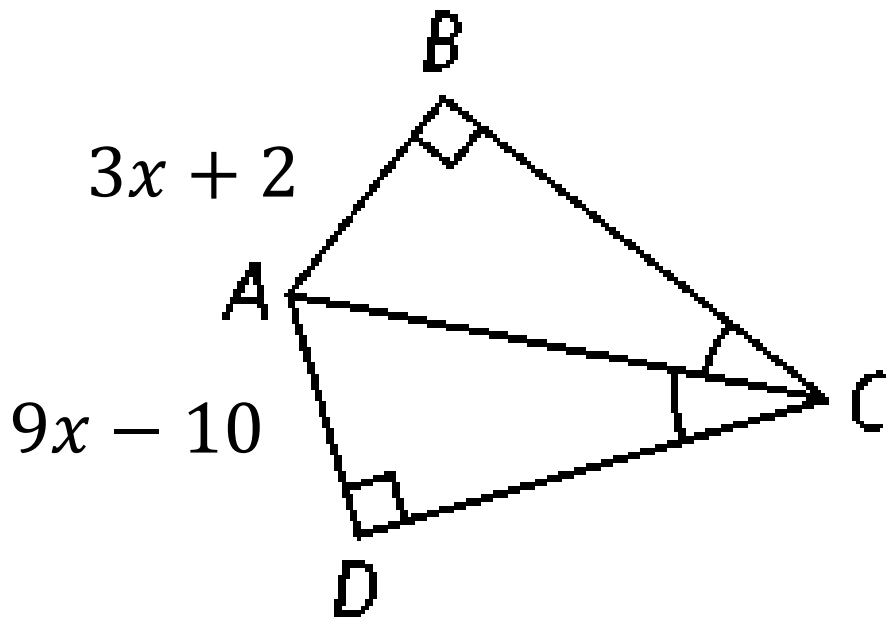
**P.**  $x = 3$

**R.**  $x = 5$

**M.**  $x = 4$

**E.**  $x = \frac{1}{3}$

**Find AB.**



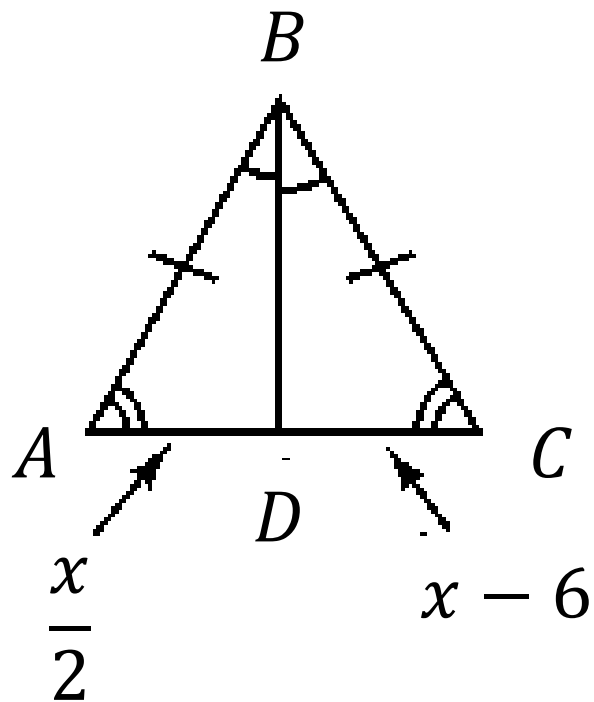
**O.**  $AB = 6$

**K.**  $AB = 4$

**I.**  $AB = 8$

**B.**  $AB = 2$

# Find AC.



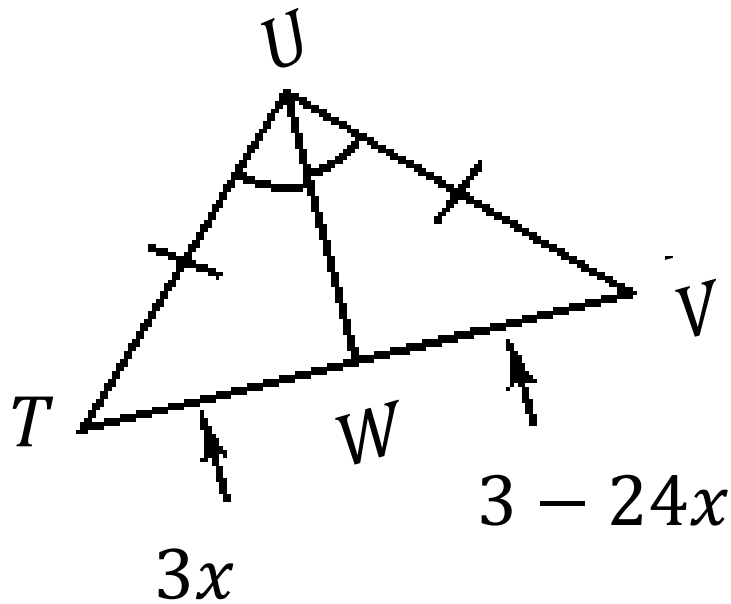
**J.**  $LN = 6$

**T.**  $LN = 4$

**S.**  $LN = 12$

**D.**  $LN = 9$

# Find TW.



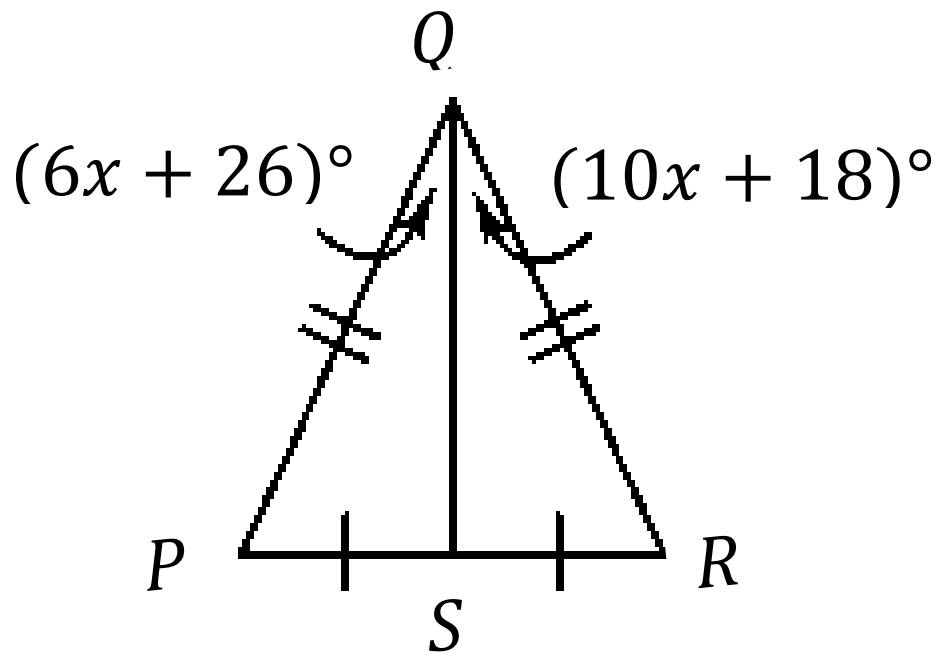
**E.**  $TW = 9$

**A.**  $TW = \frac{1}{9}$

**Y.**  $TW = 27$

**D.**  $TW = \frac{1}{3}$

**Find  $\angle PQS$ .**



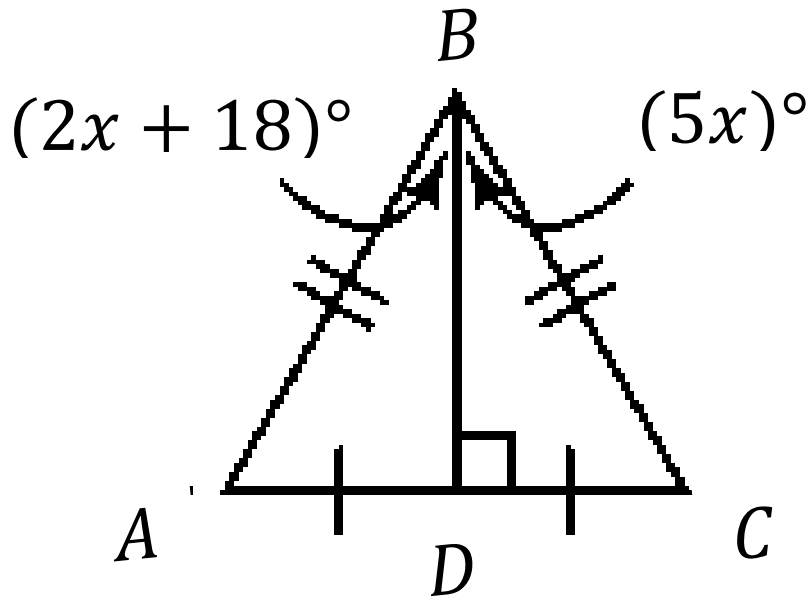
**U.**  $\angle PQS = 2^\circ$

**L.**  $\angle PQS = 38^\circ$

**H.**  $\angle PQS = 45^\circ$

**A.**  $\angle PQS = 26^\circ$

**Find  $\angle ABC$ .**



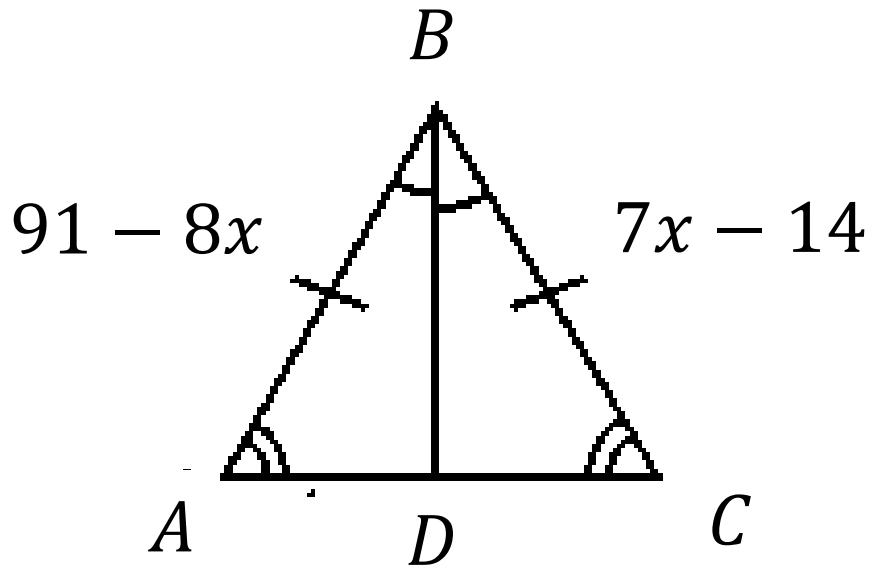
**I.**  $\angle ABC = 78^\circ$

**A.**  $\angle ABC = 6^\circ$

**C.**  $\angle ABC = 30^\circ$

**O.**  $\angle ABC = 60^\circ$

**Find BC.**



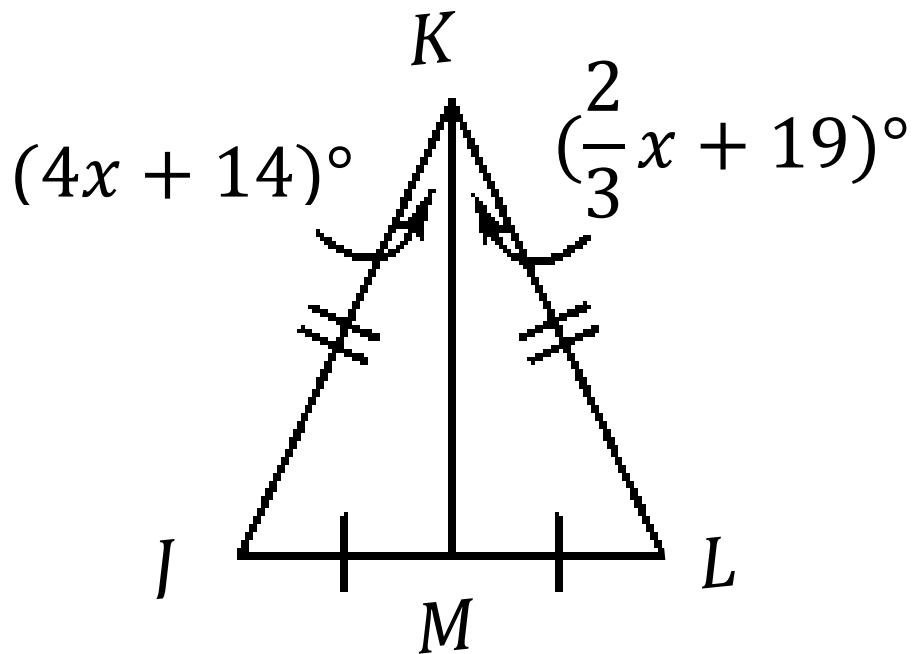
**E.**  $BC = 35$

**G.**  $BC = 12$

**A.**  $BC = 7$

**W.**  $BC = 41$

**Find  $\angle MKL$ .**



**S.**  $\angle MKL = 40^\circ$

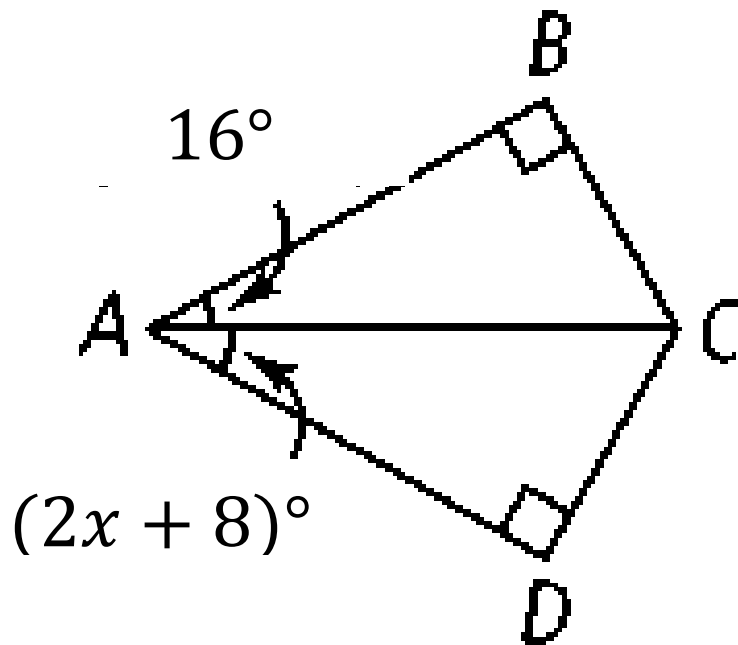
**D.**  $\angle MKL = 80^\circ$

**J.**  $\angle MKL = \frac{3}{2}^\circ$

**K.**  $\angle MKL = 20^\circ$



**Find X.**



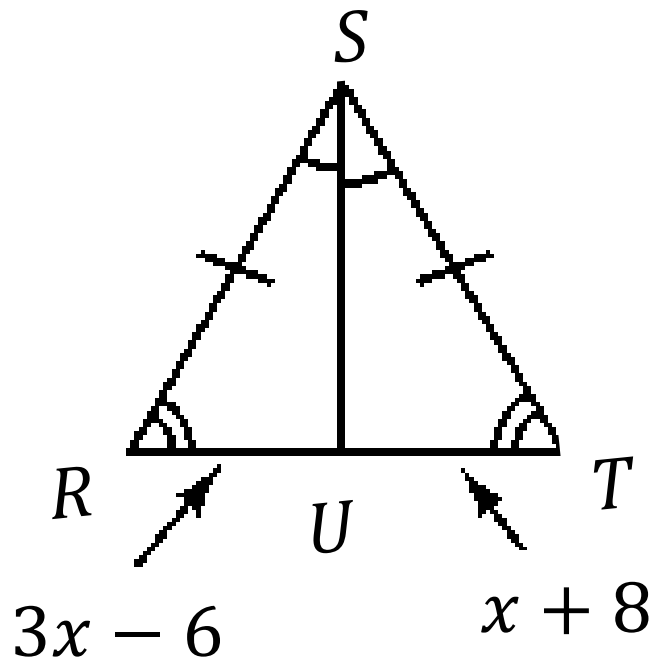
**U.**  $x = 16$

**M.**  $x = 4$

**H.**  $x = 20$

**E.**  $x = 8$

# Find RU.



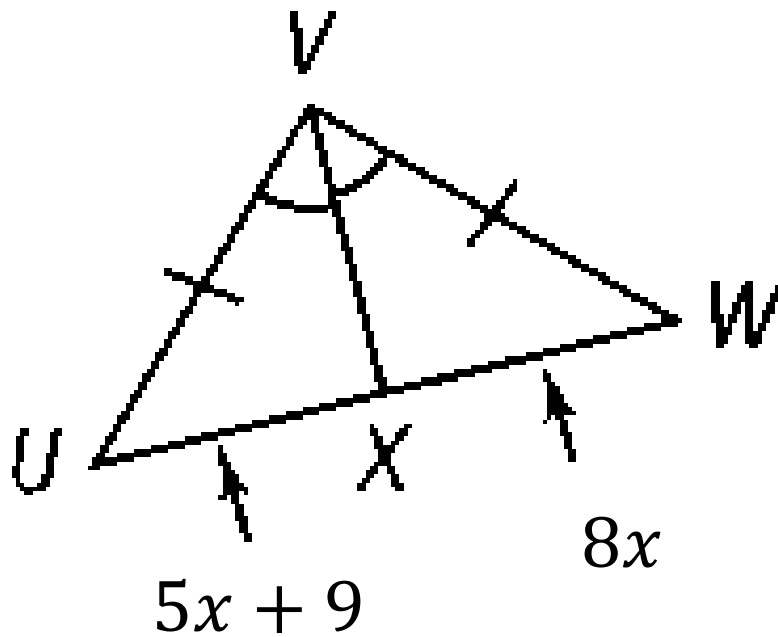
**U.**  $RU = 8$

**O.**  $RU = 30$

**L.**  $RU = 15$

**F.**  $RU = 7$

# Find UW.



**Y.**  $UW = 3$

**D.**  $UW = 24$

**I.**  $UW = 48$

**P.**  $UW = 6$

Name:

Date:

**Directions:** Solve each problem in the space provided below. Record the letters in the "Letter Bank" sections. The answers for **numbers 1-7** will unscramble for your first word. **Numbers 8-11** will unscramble for your second word. Your unscrambled words will solve the riddle!

Riddle

What do you get from a pampered  
cow?

Letter Bank

Word 1

Word 2



|    |     |     |                      |
|----|-----|-----|----------------------|
| 1. | 2.  | 3.  | 4.                   |
| 5. | 6.  | 7.  | 8.                   |
| 9. | 10. | 11. | <b>Riddle Answer</b> |

## Answer Key

1. P

2. I

3. S

4. D

5. L

6. O

7. E

8. K

9. M

10. L

11. I

**Riddle Answer:**

**SPOILED MILK**